



# MILEP SYSTEM

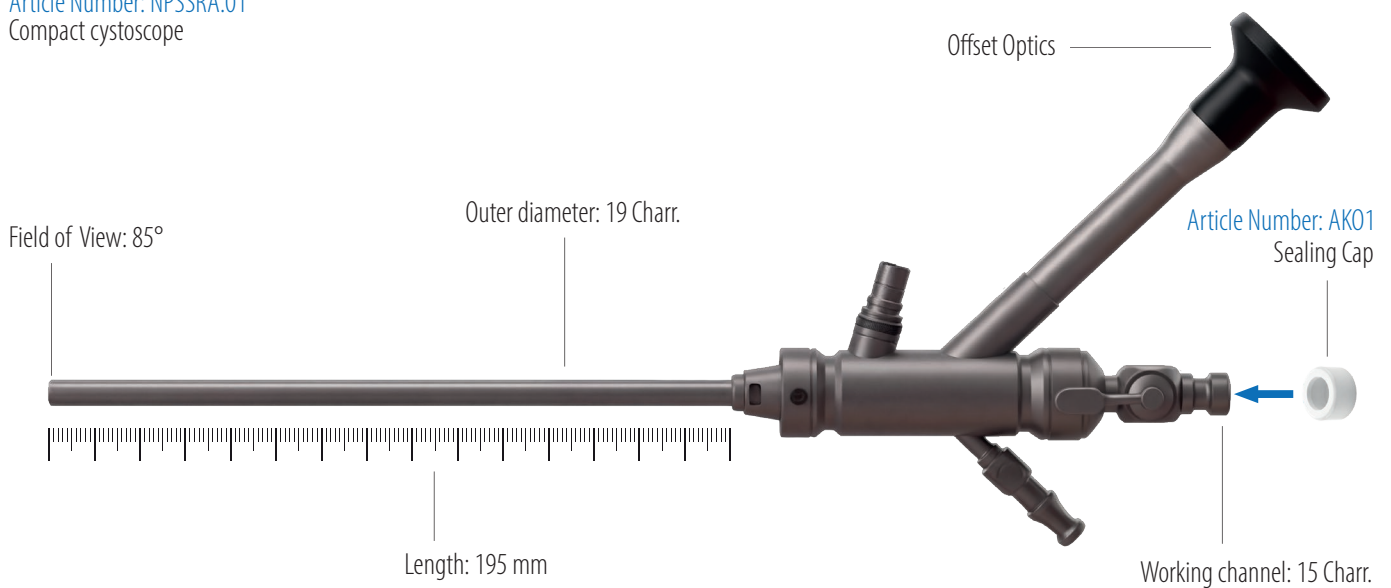
MINIMALLY INVASIVE LASER ENUCLEATION OF THE PROSTATE

19 Fr./22 Fr.

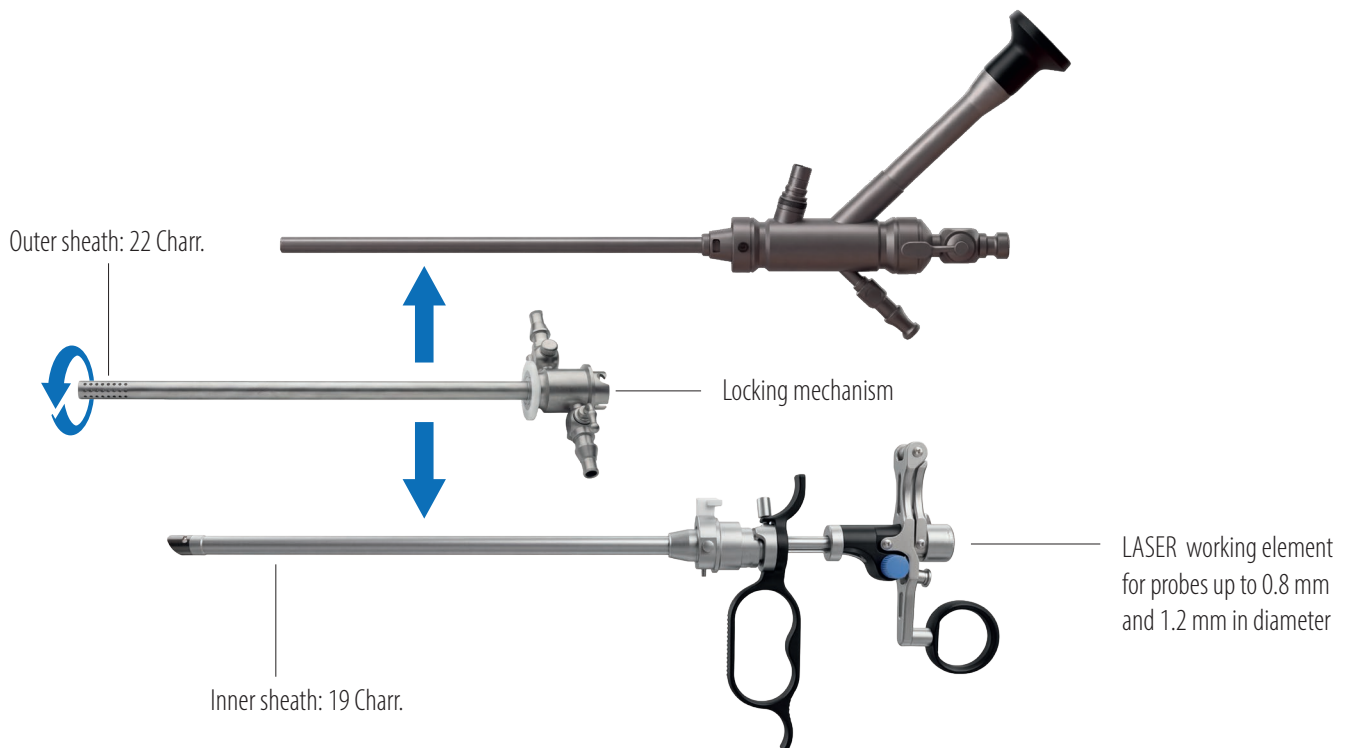
## MILEP SYSTEM: The Gold standard in surgical treatment of the Prostate

The MILEP System from EMOS is a modern solution for the minimally invasive treatment of the enlarged prostate. It uses a LASER generator to gently remove the excess tissue blocking the urine flow. A Morcellator is then used to surgically remove the excess adenoma. Since the procedure is less invasive than traditional surgery, patients benefit from quicker recovery, less bleeding, and a lower risk of needing a blood transfusion. The result is an effective, safer solution that helps patients return to normal life faster with a greater comfort.

Article Number: NPSRA.01  
Compact cystoscope



## MILEP System set: Functional solution for minimally invasive surgeries



## Complete Set : List of Contents

Cystoscope Direction of view 30° Direction of view 12°	2.8 mm	US28B.01 US28F.01	
Outer Sheath with fixed stopcocks Quick Lock	22 Charr.	ARS060-022-302	
Inner Sheath Quick Lock	19 Charr.	ARS050-019-302	
Standard Obturator	19 Charr.	ARS080-019-302	
Viewing Obturator	19 Charr.	ARS084-019-302	
LASER working element for 2.8 mm Cystoscopes 0.8 mm LASER probe 1.2 mm LASER probe		ARS300-028-302 ARS300-128-302	
"Fiber intake" Adapter for LASER probes Long version		630-047-26	
"Tuohy-Borst" Adapter With LUER-Lock, Stainless steel, Silicone seal		630-047-30	
Compact Cystoscope Direction of View 0°, Field of View 85°	195 mm	NPSSRA.01	
Sterilization Basket With transparent lid and customized silicon holders		H49-70/1	
SIMAI Morcellation Unit Air Pump integrated within Control unit	 <b>SIMAI</b> 司迈 MEDICAL EQUIPMENT	SPS-600	
Morcellation Blade Sterilizable, Anti-block, Blunt Tip design			



EMOS Technology GmbH  
Gewerbestr. 10  
88636 Illmensee, Germany

Tel: +49 (0) 7558/ 938 278- 0

[Info@emostechnology.com](mailto:Info@emostechnology.com)  
[www.emostechnology.com](http://www.emostechnology.com)